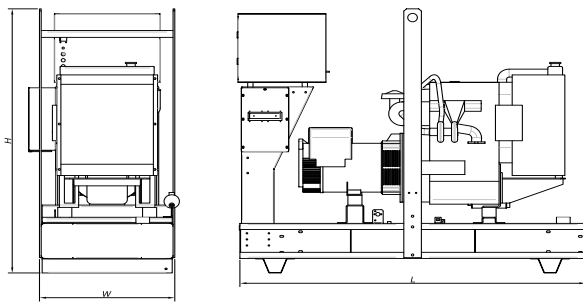
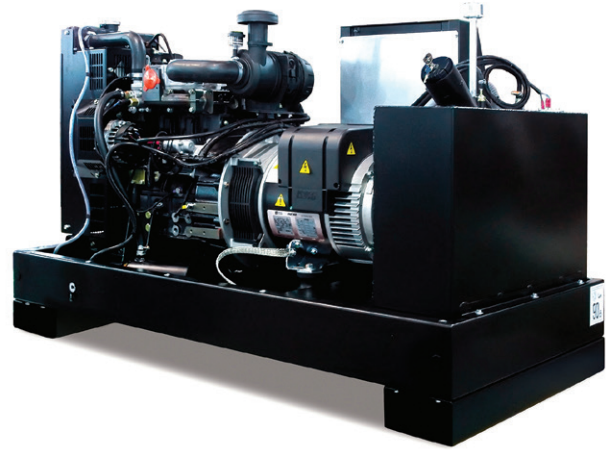


110 KVA STANDBY OPEN SET PERKINS



TECHNICAL INFORMATION

Voltage (V):	400/230
Frequency (Hz):	50
PRP Power (kVA)	101.2
Standby Power (kVA)	111.5
PRP Power (kW)	81
Standby Power (kW)	89.2

Weight and Dimensions (mm)

Length (L)	1970
Width (W)	880
Height (H)	1735
Weight (kg)	1155
Fuel tank capacity (l)	153

Consumption

	PRP Power	
	L/h	Range (hours)
25%	0	0
50%	11.8	13
75%	17.1	8.9
100%	22.6	6.8

	Standby Power	
	L/h	Range (hours)
25%	0	0
50%	0	0
75%	18.6	8.2
100%	24.9	6.1

ENGINE

Brand	PERKINS
Model	1104C-44TAG2
No. of cylinders	4
Engine Capacity (c.c)	4400
Bore (mm)	105
Stroke (mm)	127
Compression ratio	18.3:1
Water cooled	YES
Speed (R.P.M)	1500
Mechanical Net Power (kWm)	98
Fuel tank capacity (l)	153

Cooling System

Flow of air from fan (m3/min)	165.6
Water Jacket Heater	YES

Lubrication System

Oil sump capacity (l)	8
Maximum oil consumption (% fuel consumption)	0.15

Air intake system

Aspirated air flow (m3/min)	6.27
-----------------------------	------

Electrical System

Number of batteries	1
Battery	12V 60 Ah. 680 A

Exhaust System

Input diameter (")	3
Output diameter (")	3
Body diameter (mm)	168
Exhaust length (mm)	570
T ^a gas emission (°C)	543
Gas flow (m3/min)	16.3

ALTERNATOR

Model	LSA 44.2 VS45
Electronic Regulation	YES
AVR	R 250
Power (kVA)	116

ELECTRIC PANEL

Protection Devices	YES
Control Card	DEEP SEA 7320