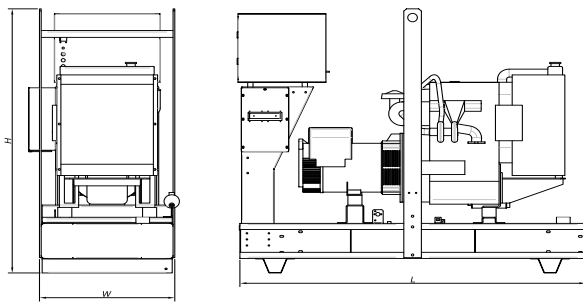


# 88 KVA STANDBY OPEN SET PERKINS



## TECHNICAL INFORMATION

Voltage (V):	400/230
Frequency (Hz):	50
PRP Power (kVA)	80
Standby Power (kVA)	88
PRP Power (kW)	64
Standby Power (kW)	70.4

## Weight and Dimensions (mm)

Length (L)	1970
Width (W)	880
Height (H)	1735
Weight (kg)	982
Fuel tank capacity (l)	153

## Consumption

	PRP Power	
	L/h	Range (hours)
25%	5.2	29.4
50%	9.7	15.8
75%	14	10.9
100%	18.7	8.2

	Standby Power	
	L/h	Range (hours)
25%	0	0
50%	0	0
75%	15.3	10
100%	20.5	7.5

## ENGINE

Brand	PERKINS
Model	1104A-44TG2
No. of cylinders	4
Engine Capacity (c.c)	4400
Bore (mm)	105
Stroke (mm)	127
Compression ratio	17.2:1
Water cooled	YES
Speed (R.P.M)	1500
Mechanical Net Power (kWm)	79.1
Fuel tank capacity (l)	153

## Cooling System

Flow of air from fan (m3/min)	89
-------------------------------	----

## Lubrication System

Oil sump capacity (l)	8
Maximum oil consumption (% fuel consumption)	0.15

## Air intake system

Aspirated air flow (m3/min)	5.14
-----------------------------	------

## Electrical System

Number of batteries	1
Battery	12V 60 Ah. 680 A

## Exhaust System

Input diameter (")	3
Output diameter (")	3
Body diameter (mm)	168
Exhaust length (mm)	570
T <sup>a</sup> gas emission (°C)	580
Gas flow (m3/min)	13.3

## ALTERNATOR

Model	LSA 43.2 L8
AVR	R 250
Power (kVA)	88

## ELECTRIC PANEL

Protection Devices	YES
Control Card	DEEP SEA 7320