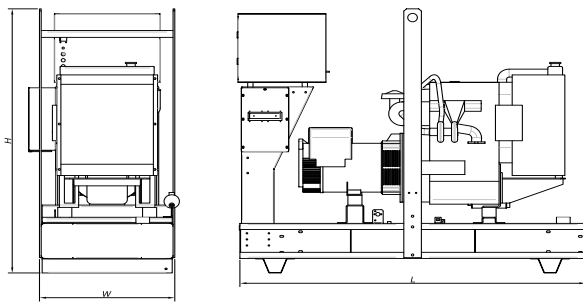


45 KVA STANDBY OPEN SET PERKINS



TECHNICAL INFORMATION

Voltage (V):	400/230
Frequency (Hz):	50
PRP Power (kVA)	40
Standby Power (kVA)	45
PRP Power (kW)	32
Standby Power (kW)	36

Weight and Dimensions (mm)

Length (L)	1970
Width (W)	880
Height (H)	1735
Weight (kg)	850
Fuel tank capacity (l)	153

Consumption

	PRP Power	
	L/h	Range (hours)
25%	3.4	45
50%	5.7	26.8
75%	8.2	18.7
100%	10.7	14.3

	Standby Power	
	L/h	Range (hours)
25%	3.8	40.3
50%	6.2	24.7
75%	9	17
100%	12	12.8

ENGINE

Brand	PERKINS
Model	1103A-33TG1
No. of cylinders	3
Engine Capacity (c.c)	3300
Bore (mm)	105
Stroke (mm)	127
Compression ratio	19,3:1
Water cooled	YES
Speed (R.P.M)	1500
Mechanical Net Power (kWm)	45.6
Fuel tank capacity (l)	153

Cooling System

Flow of air from fan (m3/min)	53
-------------------------------	----

Lubrication System

Oil sump capacity (l)	8.3
Maximum oil consumption (% fuel consumption)	0.15

Air intake system

Aspirated air flow (m3/min)	3.1
-----------------------------	-----

Electrical System

Number of batteries	1
Battery	12V 60 Ah. 680A

Exhaust System

Input diameter (")	2.5
Output diameter (")	2.5
Body diameter (mm)	147
Exhaust length (mm)	610
T ^a gas emission (°C)	537
Gas flow (m3/min)	7.7

ALTERNATOR

Model	LSA 42.3 55
Electronic Regulation	YES
AVR	R 220
Power (kVA)	45

ELECTRIC PANEL

Protection Devices	YES
Control Card	DEEP SEA 7320