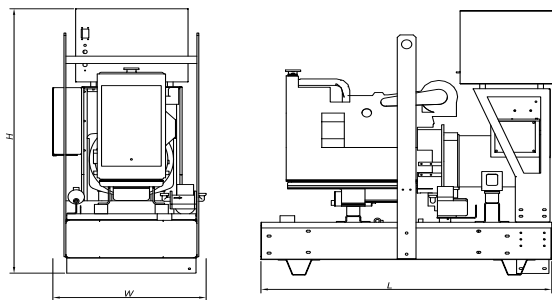


# 33 KVA STANDBY OPEN SET PERKINS



## TECHNICAL INFORMATION

Voltage (V):	400/230
Frequency (Hz):	50
PRP Power (kVA)	30.5
Standby Power (kVA)	33.4
PRP Power (kW)	24.4
Standby Power (kW)	26.8

## Weight and Dimensions (mm)

Length (L)	1550
Width (W)	700
Height (H)	1525
Weight (kg)	742
Fuel tank capacity (l)	98

## Consumption

	PRP Power	
	L/h	Range (hours)
25%	0	0
50%	3.9	25.1
75%	5.4	18.1
100%	7.1	13.8

	Standby Power	
	L/h	Range (hours)
25%	0	0
50%	0	0
75%	5.9	16.6
100%	7.9	12.4

## ENGINE

Brand	PERKINS
Model	1103A-33G
No. of cylinders	3
Engine Capacity (c.c)	3300
Bore (mm)	105
Stroke (mm)	127
Compression ratio	19,2:1
Water cooled	YES
Speed (R.P.M)	1500
Mechanical Net Power (kWm)	30.4
Fuel tank capacity (l)	98

## Cooling System

Flow of air from fan (m3/min)	53
Water Jacket Heater	YES

## Lubrication System

Oil sump capacity (l)	8.3
Maximum oil consumption (% fuel consumption)	0.15

## Air intake system

Aspirated air flow (m3/min)	2.15
-----------------------------	------

## Electrical System

Number of batteries	1
Battery	12V 60 Ah. 680A

## Exhaust System

Input diameter (")	2.5
Output diameter (")	2.5
Body diameter (mm)	147
Exhaust length (mm)	610
T <sup>a</sup> gas emission (°C)	500
Gas flow (m3/min)	5.8

## ALTERNATOR

Model	LSA 42.3 VS3
Electronic Regulation	YES
AVR	R 220
Power (kVA)	35.2

## ELECTRIC PANEL

Protection Devices	YES
ATS (optional)	4P 40A (230V) - CC
Control Card	DEEP SEA 7320