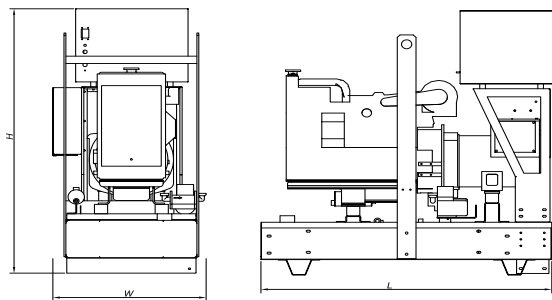


23 KVA STANDBY OPEN SET PERKINS



TECHNICAL INFORMATION

Voltage (V):	400/230
Frequency (Hz):	50
PRP Power (kVA)	20
Standby Power (kVA)	22
PRP Power (kW)	16
Standby Power (kW)	17.66

Weight and Dimensions (mm)

Length (L)	1550
Width (W)	700
Height (H)	1525
Weight (kg)	547
Fuel tank capacity (l)	98

Consumption

	PRP Power	
	L/h	Range (hours)
25%	0	0
50%	2.8	35
75%	3.9	25.1
100%	5.2	18.8

	Standby Power	
	L/h	Range (hours)
25%	0	0
50%	0	0
75%	4.4	22.3
100%	5.9	16.6

ENGINE

Brand	PERKINS
Model	404A-22G1
No. of cylinders	4
Engine Capacity (c.c)	2216
Bore (mm)	84
Stroke (mm)	100
Compression ratio	22,4:1
Water cooled	YES
Speed (R.P.M)	1500
Mechanical Net Power (kWm)	20.3
Fuel tank capacity (l)	98

Cooling System

Flow of air from fan (m3/min)	40.2
Water Jacket Heater	YES

Lubrication System

Oil sump capacity (l)	9
Maximum oil consumption (% fuel consumption)	0.3

Air intake system

Aspirated air flow (m3/min)	1.45
-----------------------------	------

Electrical System

Number of batteries	1
Battery	12V 60 Ah. 680A

Exhaust System

Input diameter (")	2.5
Output diameter (")	2.5
Body diameter (mm)	147
Exhaust length (mm)	610
T ^a gas emission (°C)	505
Gas flow (m3/min)	3.94

ALTERNATOR

Model	LSA40 M5
Electronic Regulation	YES
AVR	R 220
Power (kVA)	22

ELECTRIC PANEL

Protection Devices	YES
ATS (optional)	4P 40A (230V) - CC
Control Card	DEEP SEA 4420 3PH