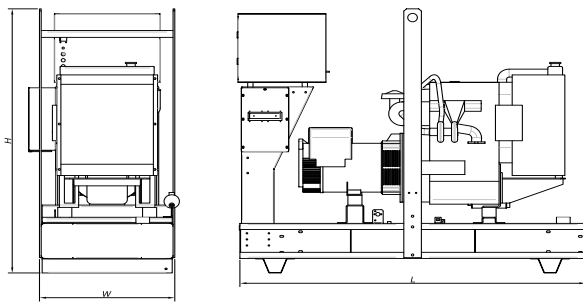


90 KVA STANDBY OPEN SET JOHN DEERE



TECHNICAL INFORMATION

Voltage (V):	400/230
Frequency (Hz):	50
PRP Power (kVA)	80
Standby Power (kVA)	88
PRP Power (kW)	64
Standby Power (kW)	70.4

Weight and Dimensions (mm)

Length (L)	1970
Width (W)	880
Height (H)	1735
Weight (kg)	950
Fuel tank capacity (l)	153

Consumption

	PRP Power	
	L/h	Range (hours)
25%	5.9	25.9
50%	11.9	12.9
75%	16.7	9.2
100%	23.3	6.6

	Standby Power	
	L/h	Range (hours)
25%	6.5	23.5
50%	13.1	11.7
75%	18.5	8.3
100%	25.7	6

ENGINE

Brand	JOHN DEERE
Model	4045TF258
No. of cylinders	4
Engine Capacity (c.c)	4500
Bore (mm)	106
Stroke (mm)	127
Compression ratio	17:1
Water cooled	YES
Speed (R.P.M)	1500
Mechanical Net Power (kWm)	80
Fuel tank capacity (l)	153

Cooling System

Flow of air from fan (m3/min)	126
-------------------------------	-----

Lubrication System

Oil sump capacity (l)	12
Maximum oil consumption (% fuel consumption)	0.2

Air intake system

Aspirated air flow (m3/min)	6.1
-----------------------------	-----

Electrical System

Number of batteries	1
Battery	12V 60 Ah. 680 A

Exhaust System

Input diameter (")	3
Output diameter (")	3
Body diameter (mm)	168
Exhaust length (mm)	570
T ^a gas emission (°C)	600
Gas flow (m3/min)	13.6

ALTERNATOR

Model	LSA 43.2 L8
AVR	R 250
Power (kVA)	88

ELECTRIC PANEL

Protection Devices	YES
Control Card	DEEP SEA 7320