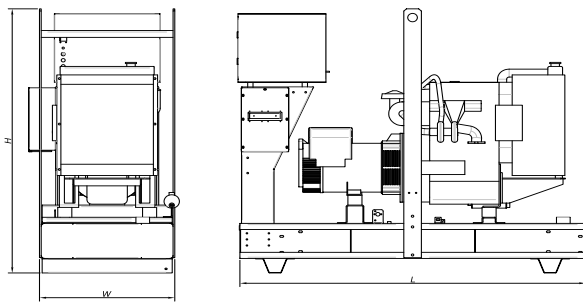


# 75 KVA STANDBY OPEN SET JOHN DEERE



## TECHNICAL INFORMATION

Voltage (V):	400/230
Frequency (Hz):	50
PRP Power (kVA)	68.1
Standby Power (kVA)	75.9
PRP Power (kW)	54.5
Standby Power (kW)	60.8

## Weight and Dimensions (mm)

Length (L)	1970
Width (W)	880
Height (H)	1735
Weight (kg)	1010
Fuel tank capacity (l)	153

## Consumption

	PRP Power	
	L/h	Range (hours)
25%	5	30.6
50%	8.5	18
75%	12	12.8
100%	16	9.6

	Standby Power	
	L/h	Range (hours)
25%	5.5	27.8
50%	9	17
75%	13.5	11.3
100%	18	8.5

## ENGINE

Brand	JOHN DEERE
Model	4045TF158
No. of cylinders	4
Engine Capacity (c.c)	4500
Bore (mm)	106
Stroke (mm)	127
Compression ratio	17:1
Water cooled	YES
Speed (R.P.M)	1500
Mechanical Net Power (kWm)	67.5
Fuel tank capacity (l)	153

## Cooling System

Flow of air from fan (m3/min)	144
-------------------------------	-----

## Lubrication System

Oil sump capacity (l)	12
Maximum oil consumption (% fuel consumption)	0.15

## Air intake system

Aspirated air flow (m3/min)	4.6
-----------------------------	-----

## Electrical System

Number of batteries	1
Battery	12V 60 Ah. 680 A

## Exhaust System

Input diameter (")	3
Output diameter (")	3
Body diameter (mm)	168
Exhaust length (mm)	570
T <sup>a</sup> gas emission (°C)	538
Gas flow (m3/min)	12.2

## ALTERNATOR

Model	LSA 43.2 L65
AVR	R 250
Power (kVA)	77

## ELECTRIC PANEL

Protection Devices	YES
ATS (optional)	4P 125A (230V) - CC
Control Card	DEEP SEA 7320